

# ULTIMA<sup>®</sup> X5000 Gas Monitor

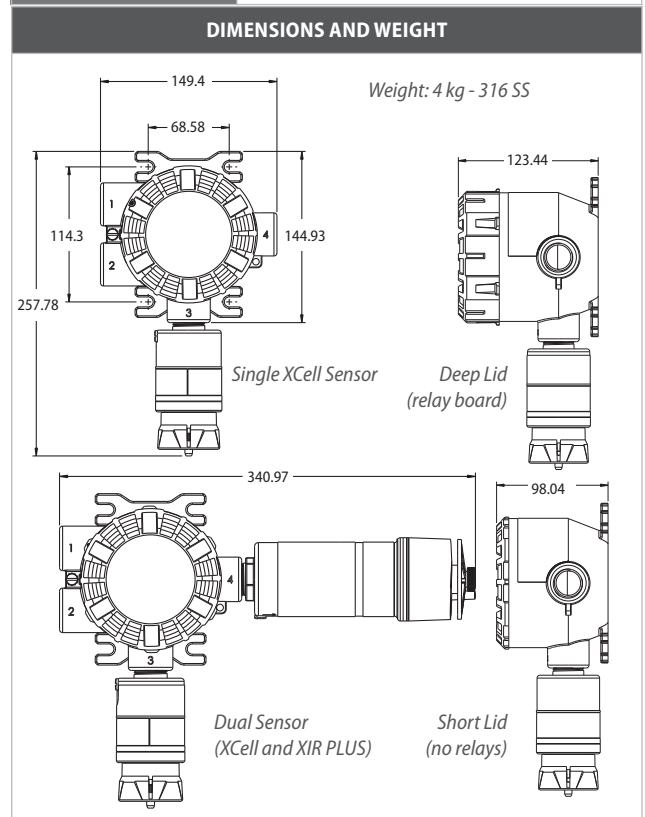
## Specifications



PRODUCT SPECIFICATIONS			
<b>COMBUSTIBLE GAS SENSOR TYPE</b>	Catalytic Bead (XCell Comb) Infrared (XIR PLUS)		
<b>TOXIC GAS &amp; OXYGEN SENSOR TYPE</b>	Carbon Dioxide CO <sub>2</sub> (XIR PLUS) Carbon Monoxide CO (XCell Toxic) Carbon Monoxide CO H <sub>2</sub> -Resistant (XCell Toxic) Hydrogen Sulfide H <sub>2</sub> S (XCell Toxic) Oxygen O <sub>2</sub> (XCell O <sub>2</sub> )		
<b>SENSOR MEASURING RANGES</b>	Combustible: 0–100% LEL H <sub>2</sub> S: 0–10, 0–50, 0–100 ppm CO <sub>2</sub> : 0–2%, 0–5% Vol CO: 0–100, 0–500, 0–1000 ppm CO-H <sub>2</sub> Resist: 0–100 ppm O <sub>2</sub> : 0–25%		
<b>TYPICAL SENSOR LIFE</b>	5 years – XCell Sensors 10 years – infrared		
<b>SENSOR PERFORMANCE*</b>	<b>T<sub>90</sub> (TYPICAL)</b>	<b>REPEATABILITY</b>	<b>ZERO DRIFT (PER YEAR)</b>
<b>XIR PLUS</b>	< 2 sec.	+/- 1% LEL/Vol	<2% full scale
<b>XCELL COMB</b>	<30 sec.	+/- 1% LEL	<5% LEL
<b>XCELL H<sub>2</sub>S</b>	<23 sec.	+/- 3%	<1% full scale
<b>XCELL O<sub>2</sub></b>	<11 sec.	+/- 0.1% Vol	0.2% Vol
<b>XCELL CO</b>	<11 sec.	+/- 3%	<1% full scale
<b>APPROVALS CLASSIFICATION</b>	<b>US Divisions</b> Class I Div 1 Groups A-D, T5, Type 4X, IP66 Class II Div 1 Groups E-G, T6; Class III <b>US Zones</b> Class I Zone 1 AEx db IIC T5 Gb Class II Zone 21 AEx tb IIIC T85°C Db Global Zones Ex db IIC T5 Gb Ex tb IIIC T85°C Db		
<b>WARRANTY</b>	X5000 Transmitter: 2 years XIR PLUS: 10 years source, 5 years electronics XCell Sensors: 3 years		
<b>APPROVALS</b>	CSA, ATEX, IECEx, CE Marking. Complies with C22.2 No. 152, FM 6320, RED, FCC Suitable for SIL 2		
ENVIRONMENTAL SPECIFICATIONS			
<b>OPERATING TEMPERATURE RANGE</b>	XCell: -40°C to +60°C XIR PLUS: -40°C to +60°C (may differ by gas, see manual)		
<b>STORAGE TEMPERATURE RANGE</b>	-40°C to +60°C		
<b>RELATIVE HUMIDITY (NON-CONDENSING)</b>	10–95% (XCell Toxics & O <sub>2</sub> ) 0–95% (XCell Comb) 0–95% (XIR PLUS)		

\*At ambient conditions

MECHANICAL SPECIFICATIONS	
<b>INPUT POWER</b>	10 to 30 VDC, 3 wire, <5W nominal
<b>SIGNAL OUTPUT</b>	Dual 4-20 mA current source, HART
<b>BLUETOOTH (OPTIONAL)</b>	Bluetooth Low Energy (BLE) v4.3 or higher
<b>RELAY RATINGS</b>	5A @ 30VDC; 5A @220 VAC (3X) SPDT – fault, warn, alarm
<b>RELAY MODES</b>	Common, discrete, horn
<b>NOMINAL MAX POWER (W/ RELAYS)</b>	XIR PLUS 6.7 W XCell Comb 5.5 W XCell Toxic & O <sub>2</sub> 2.8 W XIR PLUS and XCell Comb 9.6 W XIR PLUS and XCell Toxic & O <sub>2</sub> 7.0 W Dual XIR PLUS 11.6 W Dual XCell Toxic & O <sub>2</sub> 3.6 W Dual XCell Comb 10.6 W Dual XCell Comb and XCell Toxic & O <sub>2</sub> 5.5 W
<b>EMC DIRECTIVE</b>	Complies with EN 50270 type 2, EN 61000-6-4, EN 61000-6-3
<b>DISPLAY</b>	Organic LED (multi-lingual) with Contrast Ratio of 2000:1 and View Angle of 160°
<b>HART</b>	HART 7, HART device description language available
<b>FAULTS MONITORED</b>	Low supply voltage, RAM checksum error, flash checksum error, EEPROM error, internal circuit error, relay, invalid sensor configuration, sensor faults, calibration faults, general system
<b>WIRING REQUIREMENTS</b>	3-wire (single sensor) or 4-wire (dual sensor) shielded cable. <i>Refer to manual for mounting distances and wire gauge.</i>



Subject to change without notice  
ID 07-723.2 GB/03